



TRUCK EQUIPMENT SOLUTIONS BULK TRANSPORT



TABLE OF CONTENTS

About Us	1
Dry Bulk	2
Rotary Screw Blower	3 -4
Bi-Lobe Blower	5
Blower - Mechanical Drive	6
Blower - Hydraulic Drive	7
Piston Compressor	8-9
Blower - Accessories Package	10
Liquid Bulk	11
Product Pumps - Sliding Vane	12-13
Product Pumps - Vane & Accessories	14
Product Pumps - Gear	15-16
Product Pumps - Lobe	17
Compressors - Vane	18
Product Pumps/Compressors - Mechanical PTO Drive	19
Product Pumps/Compressors - Hydrapak - Hydraulic Drive	20
Hose & Fittings	21
Hose, Fittings & Pipings	22
Wetline Systems	23
Wetline Systems	24-25
Wetline Systems - Hydraulic Tanks	26
Accessories	27
Headache Racks	28
Toolboxes & Accessories	29
Toolboxes & Storage	30
Webasto Heaters	31
Truck Equipment	32
Service & Maintenance Fleet	33
Truck Equipment	34
Upfitting & Services	35-37
National Footprint	38

ABOUT US

THE BEGINNING

Recognizing a need for industry specialists, Greg Edmonds established Drive Products in 1983 to supply products and systems to the Truck Mounted Equipment industry in Ontario. The foundation was set with a 3,000 sq foot leased building in Toronto, three employees, and \$100,000 starting inventory. Drive Products' success continued in the form of exponential growth. Growth was established by partners with a wealth of knowledge and experience who shared a common vision. Operations were expanded through the addition of branch locations and the integration of driveline and cable manufacturing. The company also strengthened its market position by securing an exclusive distribution arrangement with Muncie Power Products and by acquiring additional complimentary product lines.



DRIVE PRODUCTS TODAY



Today, Drive Products employs over 300 people and enjoys a significant share of the Canadian market. The Corporate Head Office in Mississauga over sees branch operations in Vancouver, Calgary, Edmonton, Montreal, Laval, Halifax, Moncton, Etobicoke, Windsor and Tillsonburg (Voth Manufacturing).

Drive Products provides a complete source of truck mounted equipment and products and is Canada's leading systems integrator. In addition, Drive Products also specializes in systems engineering, installation, and repair services.

To better service its customers, Drive Products is registered to ISO 9001:2015 Quality Management Systems.



DRIVE PRODUCTS TOMORROW

Looking towards the future, Drive Products will continue to deliver products and services that exceed our customers' expectations. With continuous focus on improvement, the introduction of new product lines and additional Canadian locations, Drive Products will continue to be the industry leader.



Our company exists because of our customers, our employees and our expertise.



DRY BULK

BLOWERS • Mechanical Drive
 • Hydraulic Drive

Drive Products carries the industry's most versatile dry bulk truck blowers. Off-load or self-load any dry bulk product, including flyash, pebble, lime, cement, plastic pellets, flour and more. Our blowers are geared for high efficiencies with minimal slippage and lower air temperatures, have high pressure capabilities, and a wide range of speeds.



BLOWER | ROTARY SCREW

ROTARY SCREW BLOWER CYCLOBLOWER TRANSPORT SERIES

The CycloBlower operates efficiently requiring less break horse power (BHP) which will help lower energy operating costs. These Helical Screw Blowers offer a highly efficient rotor design that provide a smoother operation.

4 Models: T5CDL9, T5CDL12, T5CDL12L92 & T5CDL13

Key Features:

- Proprietary helical design blower
- Multiple configuration options available to suit any application
- Ideal for pressure discharge and vacuum loading
- Up to 45 pounds lighter than traditional blowers
- Saves almost two gallons of fuel per delivery compared to traditional blowers



T5CDL9 Configuration:



BLOWER | ROTARY SCREW

ROTARY SCREW BLOWER/COMPRESSOR

CYCLO SCREW TRANSPORT SERIES

CycloSaver machines are an innovative range of contact-less, oil free, screw type compressors designed to discharge all types of dry products from bulk tankers.

Key Features:

- The CycloSaver utilizes a proprietary rotary screw design that delivers unmatched performance
- The pressure and flow ranges produced by the CycloSaver allow all dry bulk solids to be discharged at optimum flow rates
- CycloSaver weighs as little as 257 pounds offering increased payload capacity
- Flow rates up to 655 cfm pressure, pressure up to 36 PSI continuous.
- Dual purpose capability to pressure offload drybulk and liquid bulk tankers.



HPD450

ROTARY VANE BLOWER

The eco-friendly oil-free rotary vane compressors are used for a variety of applications, including: pulverized limestone, clay, hydrated lime, barite, parlite, plastic pellets, dry bulk chemicals, calcium carbonate, cement, sand, fly ash, starch, sugar, grain, flour.

Key Features:

- Coolest operating temperatures in the industry
- Quietest blower in the industry
- Lightest blower in its class
- Most energy efficient truck blower in its class- 44 hp delivers 325 cfm and 25 psi
- Capable of medium-high pressure off-loads
- Lower initial cost (no discharge silencer required)
- Ideal for lease operators
- Pressure: 25 PSIG continuous, Flow Rate: 370 CPM



BLOWER | BI-LOBE BLOWER

**Gardner
Denver**

D807 & D907

HIGH PERFORMANCE ROTARY LOBE BLOWERS

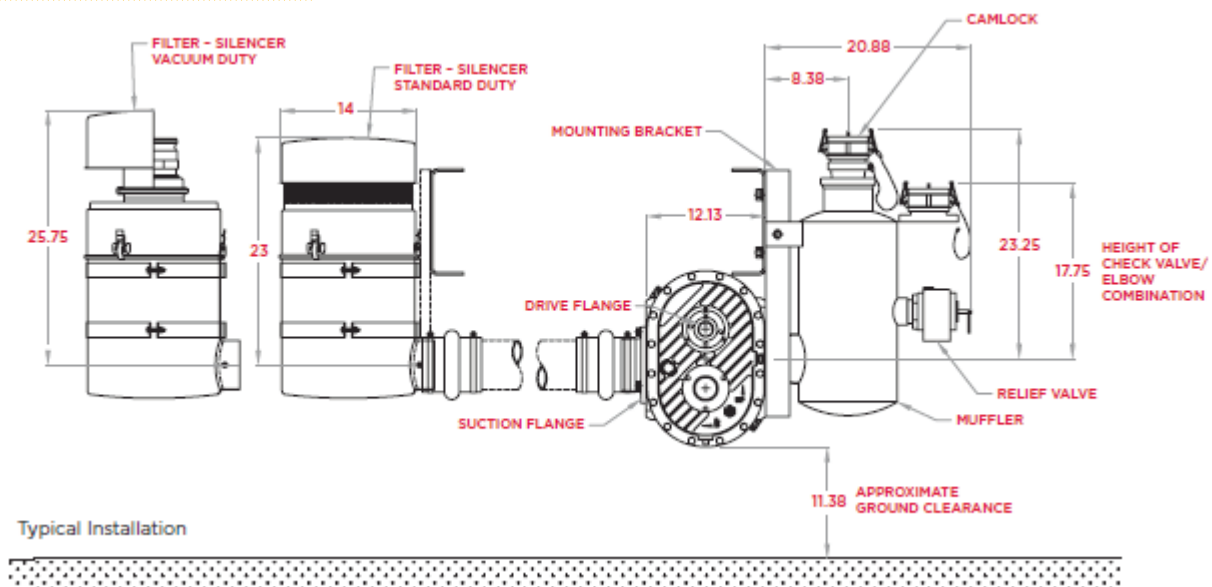
GD Dry Bulk are the most versatile truck blowers available. D807 is the first truck blower in the industry to offer 20psi continuous operation. Fitting a D807/907 on your tractor means it will be ready to do any job necessary. Keep your fleet size in control and make dispatching easy. High-pressure capability and wide speed range make these blowers ideal for: cement, sand, fly ash, flour, sugar, grain, pebble lime and plastic pellets.

Key Features:

- Up to 20 psig continuous duty pressure rating (D807 only)
- Oil lubrication at both ends reduces bearing temperature and eliminates the need for greasing
- Diamond port design greatly reduces noise and airflow pulsations
- Heat dissipation ribbing on body, end plates, and gear cases provides cooler discharge temperatures and allows for tighter tolerances
- Easy installation with vertical mounting kit
- Twin drive shaft offers either direction of rotation and ensures correct alignment of drive shaft upon installation
- Plug relieves 5-6 psi along with a 60-80° F drop in temperature, allows continued operation at lower pressure
- Dynamically balanced efficient rotors for cooler operation
- Precision ground helical gears keyed to shaft provide positive timing and easy maintenance
- Airflow up to 1300 cfm, pressure up to 20 psig, vacuum up to 17 inHg



D807 Typical Installation:



*Ask about Drive Products 2 years advantage plus warranty program on D807 Brochure package

BLOWER | MECHANICAL DRIVE



82 SERIES - POWER TAKE OFF

BUILT FOR HEAVY DUTY APPLICATIONS

Built for high torque and heavy duty requirements, the 82 Series power take-off features a lever or air shift cast iron housing and a single or dual optional hydraulic pump mount



SH SERIES - POWER TAKE OFF

DESIGNED FOR LIGHTER APPLICATIONS

Created to fill the gap between the TG and 82 Series, the SH Series is an air shift only power take-off designed for high torque applications. The SH Series is an easy to mount PTO with an integral air shift design and high torque capacity.



DRIVELINE MANUFACTURING & ASSEMBLY

Drive Products offers complete driveline solutions for all your mobile needs, including automotive, light/heavy duty trucks, off-road, agricultural, marine, and military applications.



BLOWER | HYDRAULIC DRIVE



MH5

The MH5 Hydrapak is aimed for use in high horsepower and high flow mobile hydraulic drive systems. Operating with virtually no maintenance, this easy install system weighs hundreds of pounds less than a conventional reservoir type system.

Key Features:

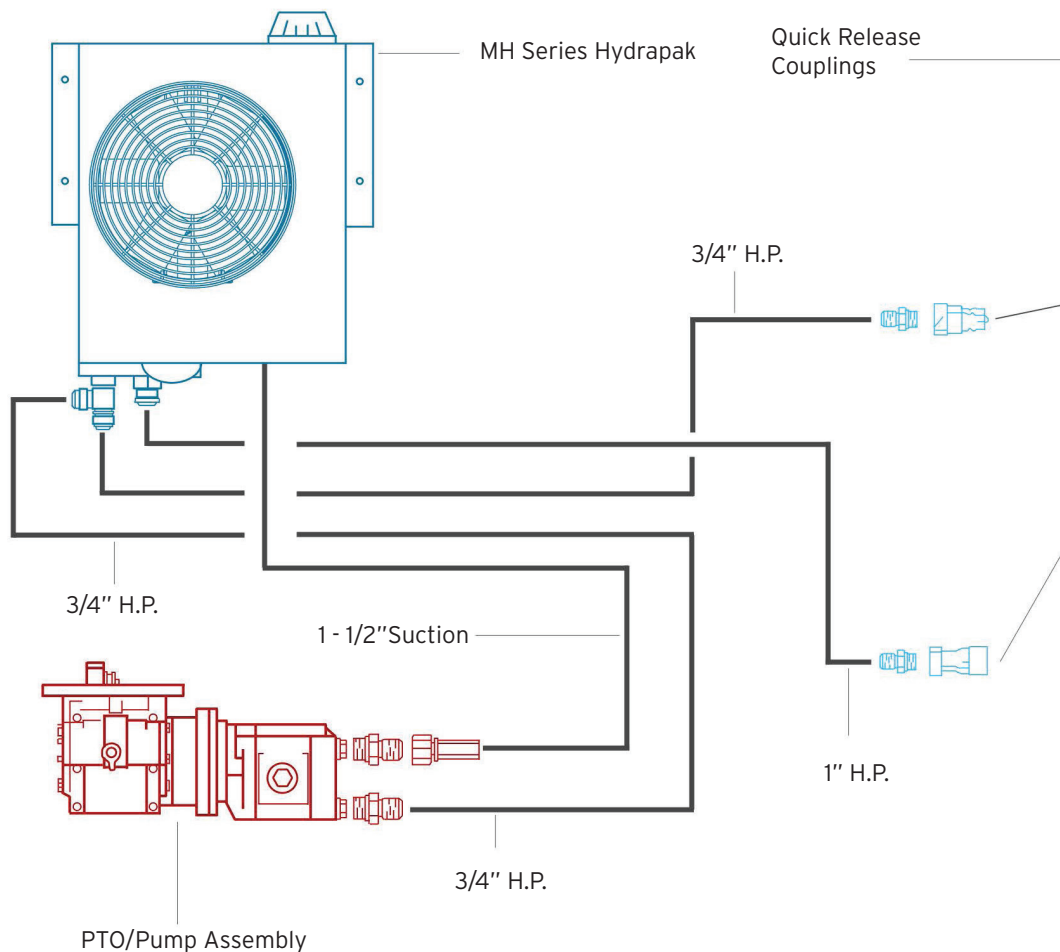
- Durable, heavy-duty stainless steel mainframe
- Designed to withstand vibration, road shock, torsional and thermal stress
- Multi-ported design reduces the need for additional hoses, fitting & external connections.
- 60 GPM Flow Capacity, Pressures to 4500 PSI



Model	Pressure (up to) PSI	Reservoir Size GALLON	Flow Rate (up to) GPM	Dry Weight LBS
MH-5	up to 4500	4.4	60	94

HYDRAULIC DRIVE SYSTEM

SAMPLE SETUP



5HP OIL-LUBRICATED PISTON COMPRESSOR



GD70

The GD70 is an oil lubricated piston compressor for pressure off-loading of bulk liquids. This two-cylinder, single stage compressor is ideal for quickly off-loading your liquid bulk materials ranging from solvents to resins.



GD70

Power	5 HP
Max PSIG	40
Max RPM	1500
Max Flow	40 CFM
Max BHP	5.0
Sump Capacity	1.27 qts
Weight	80 lbs.

Features & Benefits:

- Piston Air Compressor designed for use in the Liquid Bulk Tank market
- Lightweight and narrow construction that aids in installation where frame rail space is limited
- Built-to-last cast iron construction
- Reed valve design

Accessories:

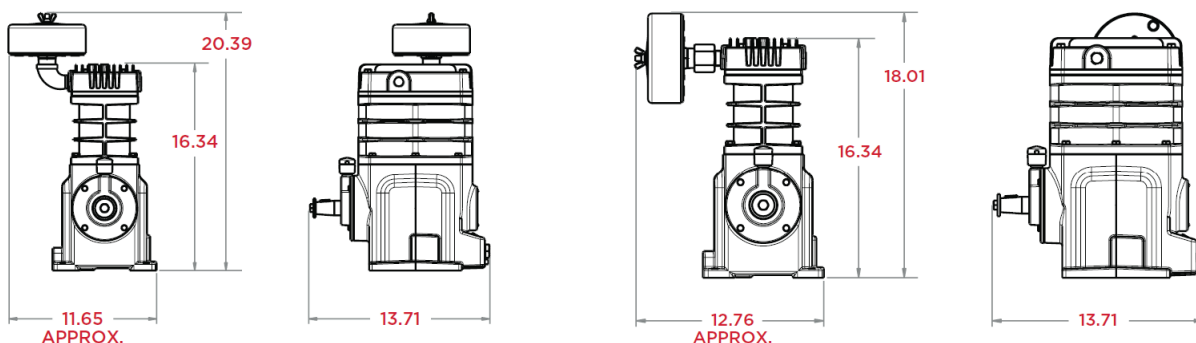
Standard accessories supplied with the GD70:


- Relief valve
- Check valve
- Lubricant
- Air Filter

A drive flange is available as an optional accessory.

SPEED RPM	30 PSI		40 PSI	
	CFM	HP	CFM	HP
1000	24.0	3.5	22.0	3.6
1200	30.0	4.3	26.3	4.4
1350	35.5	5.0	29.5	5.0
1500	39.7	5.6	32.7	5.6

Dimensions:



		GD 70		Eng. Data Sheet: GD70-V1	
		Engineering Data Sheet		Date: 2/18/2021	
		Bare Pump		Supersedes:	
MODEL NUMBER		GD70			
Description	Units	Product Data			
PUMP DATA					
Number of Cylinders	na	2			
Bore & Strokes	in.	3-1/2 & 3-1/2 x 2-1/2			
Number of Stages	na	1			
Lubrication	na	Splash Lubricated			
Oil Capacity	qt.	1.27			
Oil Type	na	AEON AC SYNTHETIC			
Drive Type	na	Direct/Hydraulic			
Crankcase	na	Cast Iron			
Bearings	na	Single Row Deep Groove Ball			
Cylinder	na	Cast Iron			
Pistons	na	Aluminum Alloy			
Valves	na	Reed Valves			
Intake Filter	na	5 Micron			
PERFORMANCE DATA (2)					
Maximum Pressure	psig	40			
Min/Max Operating Speed	RPM	1000/1500			
Min/Max Operating Temp	°F	20/104			
Speed (RPM)	30 PSI		40 PSI		
	FLOW (ACFM) (1)	POWER (BHP)	FLOW (ACFM) (1)	POWER (BHP)	
1000	24.0	3.5	22.0	3.6	
1200	30.0	4.3	26.3	4.4	
1350	35.5	5.0	29.5	5.0	
1500	39.7	5.6	32.7	5.6	
DIMENSIONS AND WEIGHT					
Pump Length	in.	14.21			
Pump Width	in.	9.86			
Pump Height	in.	17.47			
Pump Weight	lbs.	73			
Inlet Connection (2)	npt "	3/4 F			
Discharge Connection (2)	npt "	1/2 F			
Operating/Parts Manual ID	na	HYD-7-610			

1) acfm is actual cubic feet per minute at inlet conditions.
 2) M = Male connection, F=Female connection

BLOWER | ACCESSORIES PACKAGE

Gardner Denver

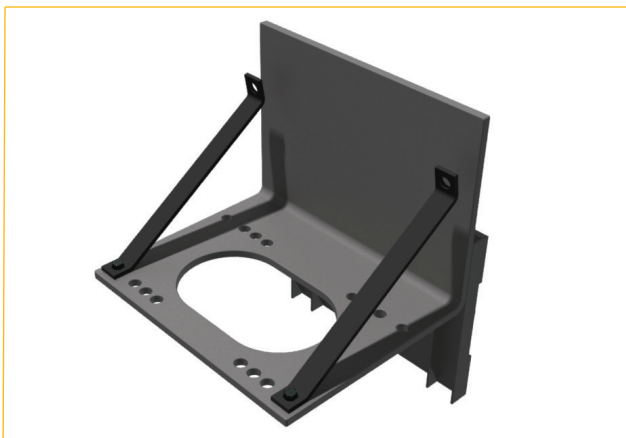
DISCHARGE MUFFLERS & SILENCERS



HYDRAULIC DRIVEN BLOWER SYSTEMS



MOUNTING BRACKETS



STAINLESS STEEL BLOWER FILTERS





LIQUID BULK

PRODUCT PUMPS - COMPRESSORS

Drive Products has the perfect product line of pumps for all your liquid transfer needs. We carry pump with multiple variations of mounting flanges, ports, shafts and seals. Whether cast iron or stainless steel, chemical or food grade, you can be confident that you will find exactly what you are looking for.

Drive Products has the perfect compressor for all your pressure off-loading liquid requirements. We offer under deck PTO driven and above deck hydraulically driven compressors that are engineered for versatility and maximum performance.



PRODUCT PUMPS | SLIDING VANE PUMP

TX SERIES

SLIDING VANE PUMPS

Clean, lubricating liquids for petroleum products: fuel, oil, diesel, kerosene, gasoline, avgas, jet fuel and light lube oils.

Key Features:

- Unique sliding-vane pump design self-adjusts for wear to maintain flow rates
- Excellent self-priming and dry-run capabilities
- Dual-ended shaft on 2-, 2.5- and 3-inch models simplifies installation
- Blackmer mechanical seal and ball-bearing construction provide maximum reliability
- Symmetrical bearing support assures even loading and wear for long life
- Adjustable relief valve protects pump against excessive pressures
- External ball-bearings are isolated from pumpage by mechanical seals to maximize bearing life and minimize contamination risk
- Easy maintenance: vanes can be easily replaced - without removing pump from truck



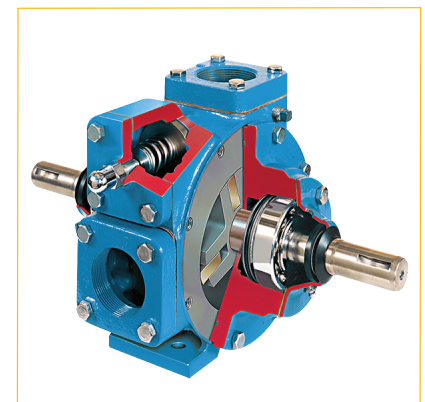
TXV SERIES

HIGH TEMPERATURE/HIGH VISCOSITY TRUCK & TRANSPORT PUMPS

High temperature (to 375°F/190°C), high viscosity fluids that can solidify when exposed to air: asphalt, heavy greases, heavy lube oils, resins, bunkered fuel, inks and adhesives. Available with 2.5" or 3" ports.

Key Features:

- Cartridge lip seals and external ball bearing construction provide maximum reliability
- Sliding-vane pump design self-adjusts for wear to maintain flow rates
- Excellent self-priming and dry run capabilities
- Symmetrical bearing support assures even loading and wear, bearings are isolated from pumpage by lip seals to maximize bearing life and minimize contamination risk
- Adjustable relief valve protects pump against excessive pressures
- Easy maintenance: vanes can be easily replaced - without removing pump
- Easy flushing and cleaning, open rotor has no cavities to trap fluids



PRODUCT PUMPS | SLIDING VANE PUMP

TLG SERIES

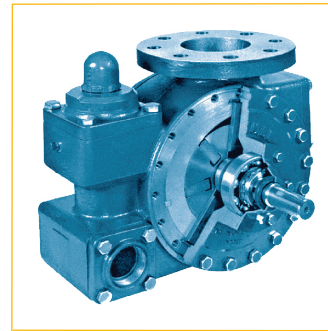
PUMPS AND BYPASS VALVES FOR MOBILE LPG APPLICATIONS



Blackmer TLGLF3 & TLGLF4 pumps are designed for maximum performance and reliability under the most severe service conditions. Direct mounting eliminates the need for inlet pipes, shut-off valve and external strainer which can restrict flow and cause vaporization problems. The result is smoother operation and longer pump life. Both models are equipped with a double-ended drive shaft for clockwise or counterclockwise rotation by simply changing position of the pump. Each model also has an auxiliary intake port which can be used for emergency unloading of another tank or transport.



TLGF3



TLGF4

BYPASS VALVES

Blackmer® bypass valves have no small, easily plugged, sensing passages; and with only two moving parts, their operation is simple and reliable. They open precisely at the preset spring pressure, and they close smoothly and quietly, thanks to a patented dash-pot design. A small chamber in the valve stem fills with liquid when the valve opens. This liquid then provides a hydraulic cushion preventing the valve from slamming shut if pressure is suddenly released. It also minimizes chatter and valve seat wear when pressures hover around the crucial limit.



STRAINERS

Blackmer T-Type strainers are designed for direct mounting on Blackmer truck pumps, or as line strainers for use with Blackmer truck pumps or other makes of pumps. T-Type strainers are available in 2-, 2.5- and 3-in sizes.



PRODUCT PUMPS | VANE & ACCESSORIES



VANE PUMPS

The entire pump portfolio receives frequently state-of-the-art optimisations and provides superior pump performance paired with efficiency and reliability. Newest complete re-designs enabled a significant reduction in weight, size and noise while flow rate capacity are increased. Drive methods range from hydraulic and electric Motors to propshaft or direct PTO coupled designs. These pumps are applied to mobile and stationary applications and customer proven in civil and under military requirements since decades.

Key Features:

- Tank trucks for domestic fuel delivery or service station and industrial supply line of heating fuels, diesel, gasolines and bio fuel grades.
- Aircraft refuelling with jet fuels ranging from JET, kerosene to AVGAS
- Stationary e-motor pump systems
- Your application benefits using Alfons Haar pumps: highest efficiency, self-priming, reversible, pulse-free operation, low weight, easy installation in truck chassis, fantastic service life and easy service, blow out function for product change, delivery output range from 50 l/min up to 4000 l/min, differential pressure up to 10 bar



TANK TRUCK | VALVE & COUPLINGS

Alfons Haar "as a provider of complete systems" delivers for equipping tank truck, including all necessary special fittings. All of these components are designed by Alfons Haar and manufactured here as well. Manufacturing meets the legal requirements and each use has a technical certification (TUE.AGG.s). These certifications are usually internationally recognized. That is the measure of our quality!



FOOT VALVES



FLAME ARRESTOR

PRODUCT PUMPS | GEAR



3600 SERIES

HEAVY DUTY GEAR PUMPS

General purpose pumps for mixing, blending, recirculating, fixed and mobile transfer. These pumps operate smoothly and with equal efficiency in either direction of rotation. They effectively handle heavy, viscous materials such as asphalt, molasses, roofing compounds, and printing inks, as well as fuel oils, gasolines, and similar thin liquids.

Key Features:

- Precise tolerances for maximum efficiency
- Direct drive or built-on gear reducers
- Bi-directional rotation
- Configurations available for close coupled drive and close coupled hydraulic drive
- Available in 2, 3, 4, Port Size
- Up to 468GPM
- Up to 125 PSI



3600 EVO SERIES

EXTREME-CONDITION OIL FIELD PUMPS

Designed specifically to pump oilfield liquids in extreme conditions.

Key Features:

- 5 sizes available
- NPT port sizes 2" to 4"
- ANSI port sizes 2" & 3"
- Flows from 25 GPM to 450 GPM
- Pressures to 125 PSI
- Bi-Directional
- Configurations available for close coupled drive and close coupled hydraulic drive



Typical Applications:

- Molasses and liquid feed supplements for livestock
- Asphalt and crack sealer
- Tank truck, railcar, barge loading and unloading
- Crude oil tank battery recirculation skids
- Resins, adhesives, hot wax
- Printing Inks and Paints
- General chemical transfer

PRODUCT PUMPS | GEAR



DURA-SEAL SERIES

ADVANCED COMBO-STYLE SEAL & BEARING DESIGN PUMPS

A superior heavy use combo-style pump from leading name in rotary gear pumps. For those seeking top-end performance, durability and flow volume - without a premium price tag.

Key Features:

- Superior Flow Volume
- Enhanced Leak Resistance
- Longer, More Reliable Pump Life
- Easy Do-It-Yourself Repair & Maintenance



ECO-SEAL SERIES

THE NEW STANDARD IN LEAK-RESISTANT BUSHING-DESIGN PUMPS

All the benefits of Bowie's leading bushing-design pumps. Now engineered with a high-performance sealing system for enhanced leak protection.

Key Features:

- Pump the highest volume in the industry
- Last forever
- Repairs are quick and easy
- Handle a wide range of fluids



PRODUCT PUMPS | LOBE

**Gardner
Denver**

STP125 STAINLESS PUMP

STAINLESS STEEL FOOD PUMP

The STP125 is a 3A Certified Sanitary, stainless steel pump specifically designed for the transfer of food-grade products or chemicals from tank trailers. Its lightweight and compact design makes it ideal for tank truck applications including sugars, fruit juice, chocolate, vegetable oils, dairy products, starches and alcohols.

Key Features:

- Meets 3A specifications
- TriLobe rotor profile provides quiet and smooth operation
- Low shaft deflection enables high pressure capability and longer seal life
- Front loaded seal can be changed without removing the pump case
- O-ring, double lip, or mechanical seal options depending on your application
- Flows to 232 GPM, pressure to 145 PSI continuous
- Bi-directional relief valve protects while loading or unloading
- Quick strip design makes cleaning and maintenance fast and efficient



SSC150 STAINLESS STEEL PUMP

DEDICATED CHEMICAL & PHARMACEUTICAL DELIVERY

Specifically engineered for product transfer of corrosive or contamination-sensitive materials from tank trailers.

Key Features:

- Applications: adhesives, detergents, isopropyl alcohol, solvents acetone mineral spirits, personal care products: body lotion, bath, soap, body oil
- Volume: pressures to 70 psig & flows to 155 gpm, dry weight: 128 lbs
- Ideal for pumping thin, non-lubricating, abrasive and thick liquids
- Double lip product seal accommodates widest range of products available
- Bidirectional pressure relief valve provides protection while loading or unloading



COMPRESSORS | VANE

GD150/GD175

OIL FREE LIQUID BULK COMPRESSOR

The GD150 is a high flow, oil free, radial vane compressor for pressure off-loading of bulk liquids. The most modern materials and manufacturing methods make the GD150 compressor the most reliable and durable vane compressor available

Key Features:

- 100% oil free air for clean product unloading
- Corrosion resistant, stainless steel rotor will not corrode or de-plate like coated rotors
- Steel shafts for durability and strength
- Viton® seals
- High temperature blades
- Lightweight and compact with anodized aluminium body and side plates
- Double ended shaft for clockwise or counter clockwise drive
- Hydraulic drive mounting trunks available for direct coupling of hydraulic motors
- GD 150 Airflow capacity up to 87cfm
- GD175 Airflow capacity up to 121 cfm
- Pressures to 36 PSI



COMPRESSORS | RECIPROCATING PISTON

DB25

OIL LUBRICATED RECIPROCATING COMPRESSOR FOR PRESSURE DISCHARGE OF TANK TRAILERS

The Jenny G model reciprocating single stage air compressor provides a fast, economical method of unloading liquids from tank trailers. Each compressor is designed, manufactured and tested to meet the rigorous demands of the tank truck industry.

Key Features:

- 4 cylinder, single stage
- Ductile cast iron construction
- Pressure range: 0-150 psi
- Speed range: 500 to 1100 rpm @ 150 psi, 1200 rpm max, speed @ 40psi
- Weight: 60 lbs (bare machine)
- Rotation: Bi-rotational

Jenny®

PRODUCT PUMPS/COMPRESSORS

MECHANICAL PTO DRIVES



TG SERIES

MANUAL TRANSMISSION

As the most versatile and widely used double gear type power take-off in the industry, the TG Series is available with 10 speed ratios, 19 shift types, 19 output shaft options and input gears for all popular transmissions.

Key Features:

- Die-cast aluminum housing: Reduces weight and noise, with superior heat dissipation
- 6- or 8-bolt housing: For simplified installation
- Modular design: Provides flexibility and ease of repair
- Constant mesh input gear: Isolates transmission from engagement errors
- Compact size: Minimizes mounting interference
- Electric/hydraulic shift option: Eliminates the need for shift cables
- Extra large shift cover opening: Allows easy access to check backlash
- Rotatable hydraulic flanges: Maximizes pump clearance



CS6/8 SERIES

MANUAL TRANSMISSION

Designed to work on Allison 1000 and 2000 series automatics and many other current manual transmissions, the CS6/8 Series power take-offs offer direct mount pump options and a drag brake. Upgrading to a multi-disk clutch brake allows for absolute shaft stoppage.

Key Features:

- Transmission input gears: Fits most popular automatic and manual transmissions
- Three remote mount output shafts in keyed and flange types: versatility for remote pump drives
- S.A.E "A", "B" and "BB"; DIN 5462 direct mount pump options: Fits most popular pumps



PRODUCT PUMPS/COMPRESSORS - HYDRAPAK | HYDRAULIC DRIVE



GD COOLERS - MH1 & MH3

The MH1 & MH3 Hydrapak's provide a cost effective system for driving low horsepower product transfer pumps. Ideal on a bobtail delivery truck for propane, fuel oil, bucket truck, digger derrick mechanic truck or a specialized piece of mobile equipment.

MH1 & MH3 Specifications:

Model	Pressure (up to) PSIG BAR	Reservoir Size GALLON LITERS	Flow Rate (up to) GPM L/MIN	Dry Weight LBS KG
MH1	3000	2	20	49
	207	7.5	76	22
MH3	3500 ⁽¹⁾	4	40	75
	241	15	151	34

(1) 5,000 psi (345 bar) option available. Actual performance may vary based on system design, environment, and maintenance



MH-C2 SLIMLINE

At 8.5" wide, the MH-C2 is the smallest and most compact cooler in its class, allowing no additional space needed on the frame rail for cooling air flow. No mounting bracket necessary for installation, meaning less weight.

Key Features:

- Front hood easily removable for easy access to filter and oil fill
- Removable side panels for easy access to internal components
- Front mounted oil sight glass for easy viewing
- Flexibility mounting arrangement
- Allows for driver-side or passenger-side mounting
- Pressure up to 5000 PSI, 30 GPM Flow Rate

MH-C2 Specifications:

Model	Pressure (up to) PSI	Reservoir Size GALLON	Flow Rate (up to) GPM	HP Cooled HEATED @ 80° FΔT	Dry Weight LBS
MH-C2	up to 5000	3.4	30	15.2	90





HOSE & FITTING

Hose & Fittings & Pippings

Drive Products is proud to offer complete hose solutions from Eaton Weatherhead. For years Eaton has been an industry leader in developing new hydraulic hose solutions. Eaton's hydraulic hose products are suitable for nearly any application, pressure level and type of fluid.



HOSE & FITTINGS & PIPING

HYDRAULIC HOSE & FITTINGS

Hydraulic fittings include couplings, food grade couplers, dust caps and plugs, threaded plugs, hose barbs, extension plugs, push-loc barbs, blowout prevention safety couplers, wingstyle threaded couplers, connectors, elbows, tees, bolt flanges, pipe and tube clamps.



TANK TRUCK FITTINGS & COUPLINGS

Industrial hose fittings include King™ combination nipples, suction couplings, strainer, foot valves, hose menders, hose barbs and inserts, garden hose fittings, Agri-Lock and Bauer style couplings.



HOSE COUPLING SYSTEMS

Boss™ ground joint, stems, wing nuts, and clamps, frac fittings, external swage stems, scovill style couplings, tri-clover stems, fixed welded flanges, combination nipples, ferrules.



CAM & GROOVE COUPLINGS

Dixon, Boss-Lock™, EZ Boss-Lock™, swaged-on, phonograph finish, reducing couplers, adapters, gaskets, replacement handles, accessories, Strap-Grip





WETLINE KITS

End Dump - Live Bottom - Walking Floor - Float Trailer
Combo Systems - Hydraulic Tanks

Drive Products is your complete source for wetline systems. Wetline packages are available for almost all truck makes and models. We have complete solutions for dump trailers, live floor, float packages and combo systems



WETLINE SYSTEMS

END DUMP

WETLINE KIT 003

- Dump Kit
- Integrated Air / Air Package
- Includes console with auto kick-out

PART NUMBER	DESCRIPTION
TG8S U68**P*KX	Air Shift Power Take Off
E2XA1-27-02BPRL-DP	Dump Pump
AA1257	Dump Pump 3 Line Sleeve
CONKIT6/14AV295	6" or 14" Custom Console with auto kick-out option



LIVE BOTTOM

WETLINE KIT 013

- Transfer Trailer Package

PART NUMBER	DESCRIPTION
TG8S*****A*KX	Air Shift Power Take Off
PL1-19-02BPBL-20	Dump Pump
FRHS-N150	Dump Pump 3 Line Sleeve
FRES-S125P10L (2 Of)	6" or 14" Custom Console with auto kick-out option
GC610	Filter Gauge



WALKING FLOOR

WETLINE KIT 014

- Transfer Trailer Package

PART NUMBER	DESCRIPTION
TG8S*****A*KX	TG8 Series Air Shift Power Take Off (118%)
PL1-27-02BCSL	PL Series Gear Pump
4BSC-32DP	Hydraulic Port Flange
11370003	RPL16A Relief Valve
FRHS-N150	End to End Filter Head
GC610	Filter Gauge
FRES-S125P10L (2 Of)	Long Filter Element



WETLINE SYSTEMS

FLOAT TRAILER

WETLINE KIT 015

- Float Kit
- Medium Pressure Package
- Up to 3000 PSI

PART NUMBER	DESCRIPTION
TG8S U68**A*KX	TG8 Series Air Shift Power Take Off (100% - 110%)
PK1-11-02BPBB	PK Series Pump
RD12D	Relief Valve
FRHS-N075	Filter Head
FRES-S075P10L	Filter Element
GC610	Filter Gauge



COMBO SYSTEMS

WETLINE KIT 024*

- Dump Trailer Combo II Package (Hi-Low)

PART NUMBER	DESCRIPTION
TG8S****P*KX	TG8 Series Air Shift Power Take Off (118%)
PL1-27-02BCSL	PL Series Gear Pump (P51)
D182PP2CCO	Combo II Hydraulic 3 Way Valve
4BSC-32DP	Hydraulic Port Flange
GLS452	4000 PSI Gauge
C3269X4X4	Bushing
C3359X4	45 Degree Street Elbow
FRHS-N150	End to End Filter Head
GC610	Filter Gauge
FRES-S125P10L (2 Of)	Long Filter Element
CONCOMBO6ADDD	Custom Console*

*(CONCOMBO295 Angled Top-Plate Console N/C Option
HILOW400DA Required With this Option)



* APPROVED WALKING FLOOR SYSTEMS

Keith Walking Floor provide safe, efficient and reliable material handling solutions to unlimited industries worldwide



www.keithwalkingfloor.com

AVAILABLE OPTIONS



Side by Side Filter
FRPS-C200-P10LG

WETLINE SYSTEMS | HYDRAULIC TANKS

When it comes to hydraulic tanks, Drive Products provides only the highest quality products. Aluminum, steel, or polyethylene, all our tanks are 100% pressure tested to eliminate leaks and keep you moving. From 7 to 100 US gallons, we supply reservoirs for both side mount and upright installation. Don't forget to ask us about custom reservoir designs.



SIDE MOUNT RESERVOIRS

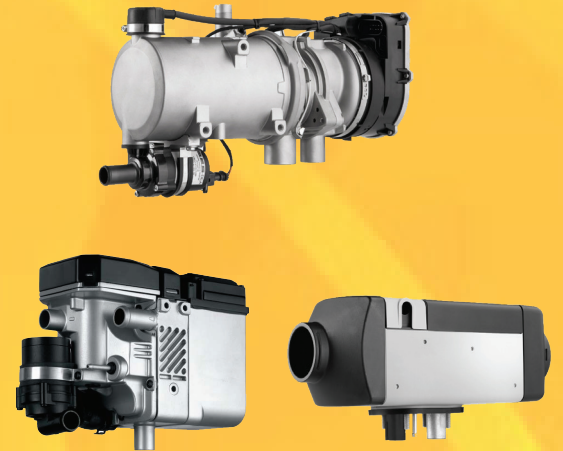
CYLINDRICAL STEEL & ALUMINUM



UPRIGHT RESERVOIRS

STEEL & ALUMINUM RESERVOIRS





ACCESSORIES

Headache Rack - Tool Boxes & Accessories - Storage
- Step Boxes - Webasto Heaters



ACCESSORIES | HEADACHE RACKS



HEADACHE RACKS

Headache racks are one of the most popular aftermarket accessories purchased by the trucking industry today. Lightweight, high-strength aluminum helps reduce fuel costs and avoids putting a dent in vehicles' carrying capacity. Sporting flat-rack designs with an abundance of storage options and integrated hydraulic reservoir options, our Headache Racks are available in multiple configurations for today demanding conditions.

WITH HYDRAULIC TANK AND HEADACHE RACK COMBOS

Key Features:

- Saves time, money, and frame space.
- Efficient use of space: Tanks fit between the legs of standard headache racks.
- Turn-key solution with simple installation.
- Strong, lightweight aluminum construction.
- Tank volumes: 30, 50, 70 GAL.
- Rack widths: 70, 76, 86 inches.



FLAT / OPEN SEMI TRUCK HEADACHE RACKS

Key Features:

- Lightweight, high-strength aluminum construction
- Three standard sizes (70", 78", 86")
- Multiple storage options and add-ons
- Available with no window, jail bar window, or EZ-view window
- Optional hydraulic tank add on.





ACCESSORIES

TOOL BOXES & ACCESSORIES

FIFTH WHEEL RAMPS

Key Features:

- Assist with guiding low trailers to the truck's fifth wheel.
- Built from high strength steel for maximum durability.
- Mount directly and solidly to the frame of the truck.
- Helps to ensure that you get hooked up quickly and easily time after time; even if you're hooking up on your own.
- Easy installation with included instructions.
- 4 Standard sizes to choose from.



INFRAME TOOL BOX

Key Features:

- Secure, padlockable, stainless steel slam latch for durability and longevity.
- Simple 30-minute installation with included no drill frame mounting kit.
- Strong, yet lightweight 0.125 aluminum construction.
- Checker plate lid for grip.
- Easily store DEF, tire chains, tools, etc...
- Two box sizes for all applications.



TIRE CHAIN HANGERS

Key Features:

- 20lb Tire chain hanger.
- Innovative, high strength security flange prevents theft via prying open doors.
- Stainless steel hinges.
- Requires less than 12" of frame space when installed.
- Each hanger is designed to accommodate enough chains for one tractor.
- Built from high quality aluminum and steel.
- Mounting holes are generic and do not necessarily fit specific models; drilling may be required to fit product on to your vehicle.



ACCESSORIES

TOOL BOXES & STORAGE



SEMI TRUCK STEP BOXES

Standard step boxes are available in smooth 0.125" aluminum with smooth or checkerplate doors.

Key Features:

- Helps utilize unused and hard-to-use frame space for secure storage
- Adds useful additional storage areas to your truck
- Strong, Lightweight Aluminum Construction
- High-quality Automotive Bulb Seal for Water Resistance
- Step Tread increases safety by reducing the possibility of slipping
- High-quality, padlock-able-t-handle



BOOT BOX

Key Features:

- Strong, lightweight aluminum construction.
- Stainless steel hinges and locking t-handles.
- Intended to be mounted on the frame behind the tractor cab.
- A great place to store DPF, straps, chains and more.
- 22" (P#1813) and narrower fit between the legs of our headache racks.
- 6 Standard sizes to choose from.
- Automotive bulb seal helps keep your contents secure and dry.



DAY CAB SEMI TRUCK BOX

Key Features:

- Strong, lightweight aluminum construction.
- Stainless steel hinges and locking handles.
- Custom design: We build to your specs.
- Behind the cab storage solution.
- No vision lost out of your rear window.
- Compartments accessible from the ground or truck deck.
- Automotive bulb seal helps keep your contents dry.



ACCESSORIES | WEBASTO HEATERS



AIR TOP 2000 STC

AIR HEATER

The Air Top 2000 STC is the most popular choice in idle reduction technology. Millions are being used in various applications around the world. Perfect for cab heating, the Air Top 2000 STC gets the job done with 7,000 BTU/h (2kW) of heat output. This compact unit is low on maintenance, service-friendly and the most efficient air heater on the market. The Air Top 2000 STC can pay for itself within months.

Key Features:

- Provides rapid cab heat without idling
- Uses as little as 1 Gallon (3.8l) of fuel in a 22 hour period
- CARB approved and EPA SmartWay verified
- Fast Return on Investment
- Quiet operation ensures a restful night's sleep
- Full diagnostics with PC interface available
- High heat output in a compact design
- 7000 BTU/h output (2kW)



THERMO TOP C

COOLANT HEATER

Compact and reliable, the Thermo Top C utilizes proven technology with millions of units currently in use. Its high output in a small package makes it perfect solution for engine pre-heating, fuel savings and emission reduction.

Key Features:

- Provides engine pre-heat without idling
- Uses as little as 1 Gallon of fuel in a 10 hour period
- CARB approved and EPA SmartWay verified
- Fast Return on Investment
- Full diagnostics with PC interface available
- Increases Productivity
- 17,200 BTU/h output (5kw)



THERMO 90

ENGINE-OFF COOLANT HEATER FOR DEMANDING MACHINERY AND VEHICLE APPLICATIONS

The Thermo Pro 90 has been specially designed for use in heavy duty for machinery and commercial vehicles, as well as in minibuses. New features such as altitude adjustment, Arctic Start and seamless heating control provide engine-off pre-heat to make these vehicles operational in extremely cold conditions. Fuel saving and low energy consumption make a valuable contribution to both cost-savings and environmental protections.

Key Features:

- Auxiliary heating for heavy vehicles and machines, offering up to 31,000 BTU/h (9.1 kW) of heating power.
- Arctic Start function provides quick pre-heat even in extremely cold temperatures
- Low heater power consumption due to highly efficient design
- Automatic altitude adjustment up to 11,000 feet (3,350 m)





TRUCK EQUIPMENT

Service & Maintenance Fleet - Truck Equipment



TRUCK EQUIPMENT

SERVICE & MAINTENANCE FLEET



VOTH SERVICE BODIES & GWA VANSHELIVING

The Voth Service Bodies are modular in design for durability, quality & integrity. Made from 5052-H32 marine grade aluminum our bodies are corrosion resistant and 45% lighter than steel. With industry leading strength, we also provide increased fuel efficiency and payload capacity.



SERVICE BODY



STANDARD

Voth's all aluminum service body is manufactured in rugged, corrosion-resistant 5052-H32 marine grade aluminum. Heavy gauge construction provides additional strength, reducing maintenance and maintaining improved fuel efficiency and payload capacity at 45% lighter than steel.

MECHANICS

The trusted high strength performance of your standard service body is now a multi-function truck to suit your industry. Rear cabinet crane reinforcement, specialized cabinetry and a durable powder coat finish will support you wherever your work takes you.

CUSTOM

Voth Truck Bodies manufacturing is supported by a team of sales, drafting and design experts. When your work demands custom solutions, Voth has the expertise you need. Set your fleet up for success in a custom service body with the features to support your business.



TRUCK EQUIPMENT



X-PRO HIGH SIDE TRADES TRUCK PACK

The shape of the packs follow the angle of the truck's cab to improve fuel economy. Featuring a built in ladder rack, adjustable shelves, flip up door with gas shocks, automotive bulb seal, rain gutter door frames, and keyed stainless handles that are also pad lockable. Each truck pack comes with either a front crossbox, or a chest box option. Mounting kits included, fits most full-size Ford pickups. Ladder rack capacity: 500lbs.



X-PRO LOW SIDE STORAGE PACKS

Low side truck packs are built from super heavy-duty, yet lightweight aluminum and will easily outlast your truck. Weighing only 275lbs, these boxes will make a very minimal dent in you truck's load capacity. The centre tonneau lift cover offers full access to your truck bed; featuring gas shocks and a reinforced lid that can hold up to 500lbs. The deep side compartments allow for easy access from the ground and weather stripping offers arm protection when reaching deep inside the box.



HIGH SIDE PICKUP TRUCK TOOLBOXES

Finally, heavy-duty high side pickup truck toolboxes that won't dent when you look at them. Built with Iconic MetalGear's standard strong, lightweight aluminum, we have created the toughest high side pickup truck toolboxes that also won't weigh your truck down. Also featuring our 5/8" thick automotive bulb seal, rain gutter style door frame, stainless keyed and pad-lockable handles and flip down doors. You can hand these toolboxes down to your grandkids, they're built that tough.



GULLWING TOOLBOX

Built industry tough! The gullwing toolbox from Iconic MetalGear is a lightweight, heavy duty, pickup truck toolbox that is constructed entirely with aluminum. Offering a "big mouth" design that provides easier access and greater capacity, you'll be able to carry more tools than ever in your MetalGear gullwing toolbox. Each gullwing box comes standard with stainless steel action lock t-handles, stainless steel piano hinges, 80lbs gas shocks, heavy-duty automotive bulb seal, rubber matting, a no-drill mounting kit and our weather resistant design.



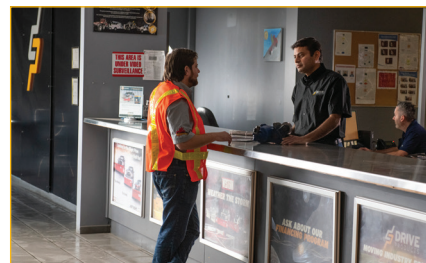


UPFITTING & SERVICES

Customer Service - Upfitting & Service Centre -
Maintenance & Repair Shops - Manufacturing - National Footprint

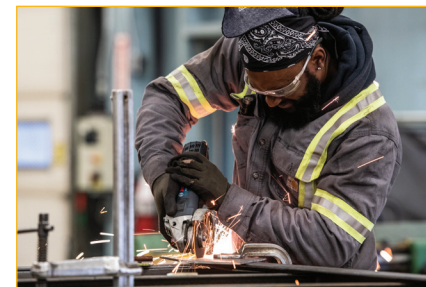


UPFITTING & SERVICES



CUSTOMER SERVICE

All of our locations have a dedicated customer service team ready to answer an question. They are also supported by our national product management team, who are expert technical resources for our product lines and system design specialists.



UPFITTING & SERVICE CENTRE

Drive Products' head office is conveniently located in Mississauga, Ontario, close to major highways and Pearson International Airport. This location features one central warehouse, a large installation and service shop facility, and is home to our support & administrative functions.

Services Offered

- Fleet Programs and Services
- Installation, Maintenance & Repair
- Manufacturing
- Engineering & Design
- OEM Driveline engineering & manufacturing



MAINTENANCE & REPAIR SHOPS

Every Drive Products location has service facilities for our products and systems. Whether it is a warranty repair, retrofit, or system troubleshooting, we have the experts to aid in diagnosing the problem and getting your vehicle back to work.

MANUFACTURING

Voth Truck Bodies is located in Tillsonburg, Ontario, just 30 minutes from the 401. Voth is a long time manufacturer, specializing in the design and building of custom aluminum and steel truck bodies and pickup truck inserts geared to the landscaping, municipal, forestry as well as light and medium duty aggregate industries. As a member of the Drive Products family, Voth is also a designated Drive Products Upfitting location, specializing in Kargo King and SnowBull products, and the upfit of all Drive Products manufactured brands.



G.W. Anglin Manufacturing is a diverse manufacturer of parts and aftermarket truck and van equipment. G.W. Anglin manufactures a mix of aluminum service bodies for the Class 2b to Class 5 truck market along with a portfolio of light truck and van accessories that include Ladder Racks and Shelving that will nicely coincide with the Voth and Kargo King line of truck equipment products under the Drive Products umbrella.



NATIONAL FOOTPRINT

(Total Area: 750,000 sq.ft.+)



COMING SOON IN:
2022: Quebec City, QC
2022: St John's, NL

VANCOUVER

Address: 19150 96 Ave #1, Surrey
 Building Size: 29,000 sq. ft.
 Shop Sq. Ft.: 28,000 sq. ft.

EDMONTON

Address: 26230 Township Rd 531A #111, Acheson
 Building Size: 90,000 sq. ft.
 Shop Sq. Ft.: 40,000 sq. ft.

CALGARY

Address: 4311 122 Ave SE, Calgary
 Building Size: 30,246 sq. ft.
 Shop Sq. Ft.: 12,000 sq. ft.

REGINA

Address: 288 Hodsmen Rd, Regina
 Building Size: 15,000 sq. ft.
 Shop Sq. Ft.: 13,000 sq. ft.

WINNIPEG

Address: 10 Keenleyside St., Winnipeg
 Building Size: 23,000 sq. ft.
 Shop Sq. Ft.: 10,000 sq. ft.

MORDEN

Address: 480 9th St. South, Morden
 Building Size: 14,500 sq. ft.
 Shop Sq. Ft.: 9,500 sq. ft.

TILLSONBURG - VOTH MANUFACTURING

Address: 66 Norfolk County Rd 13, Courtland
 Building Size: 100,000 sq. ft.
 Shop Sq. Ft.: 100,000 sq. ft.

WINDSOR - GWA MANUFACTURING

Address: 220 Patillo Rd RR#1 Tecumseh
 Building Size: 80,000 sq. ft.
 Shop Sq. Ft.: 70,000 sq. ft.

OTTAWA

Address: 1611 Liverpool Crt., Ottawa
 Building Size: 25,116 sq. ft.
 Shop Sq. Ft.: 21,000 sq. ft.

MISSISSAUGA - HEAD QUARTERS & GLOBAL DISTRIBUTION CENTRE

Address: 1665 & 1666 Shawson Dr. Mississauga
 HQ & ON Service Centre Bldg Size: 77,000 sq. ft.
 Shop Sq. Ft.: 20,000 sq. ft.
 Global Distribution Centre Bldg Size: 71,600 sq. ft.

ETOBICOKE - GWA MANUFACTURING

Address: 10 McLachlan Dr., Etobicoke
 Building Size: 38,000 sq. ft.
 Shop Sq. Ft.: 20,000 sq. ft.

NEWMARKET - DEL MANUFACTURING

Address: 100 Harry Parkway, Newmarket
 Building Size: 20,153 sq. ft.
 Shop Sq. Ft.: 10,000 sq. ft.

MONTREAL

Address: 900 Montée de Liesse, St-Laurent
 Building Size: 26,524 sq. ft.
 Shop Sq. Ft.: 5,000 sq. ft.

LAVAL - GWA/AMTECH UPFITTING FACILITY

Address: 3737 Boulevard Lite, Laval
 Building Size: 67,000 sq. ft.
 Shop Sq. Ft.: 50,000 sq. ft.

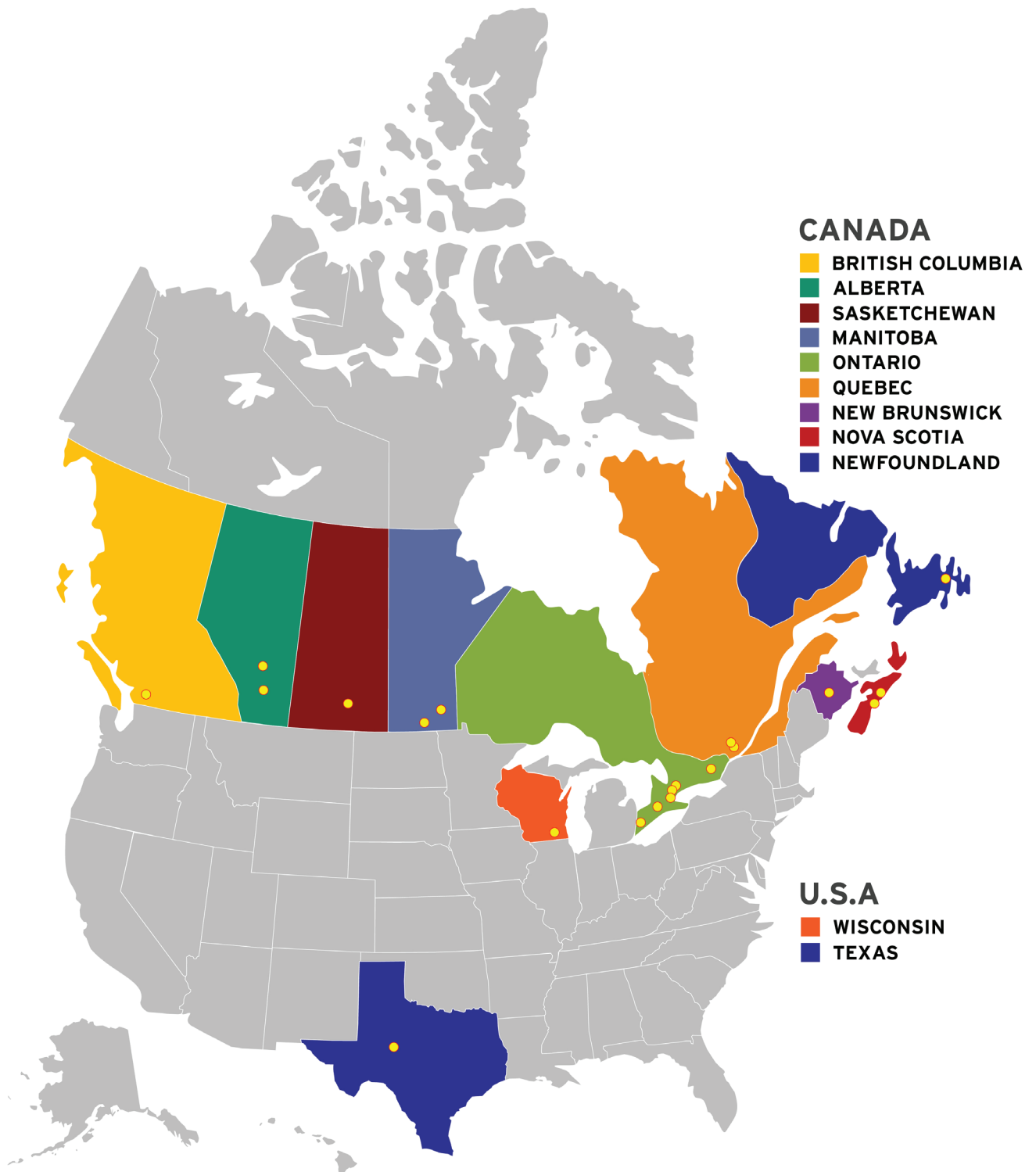
HALIFAX

Address: 141 Joseph Zatzman Dr., Dartmouth
 Building Size: 7,155 sq. ft.
 Shop Sq. Ft.: 4,000 sq. ft.

MONCTON

Address: 541 Ferdinand Blvd., Dieppe
 Building Size: 9,600 sq. ft.
 Shop Sq. Ft.: 5,000 sq. ft.

NATIONAL FOOTPRINT *(Total Area: 800,000 sq.ft.+)*



CANADA**VANCOUVER**

Address: 19150-96th Ave #1,
Surrey BC V4N 3R3
Phone: 604-888-4464

CALGARY

Address: 4311 122nd, Ave S.E.,
Calgary AB T2Z 4V3
Phone: 403-720-8033

EDMONTON

Address: 11465-259 Street,
Acheson AB T7X 6C4
Phone: 780-960-6826

REGINA

Address: 338 Mill Street,
Regina SK S4K 0A8
Phone: 306-359-3677

MORDEN

Address: 480 9th Street
South, Morden MB R6M 0C3
Phone: 204-201-1197

MORDEN MFG - COMING SOON

Address: 72 Jefferson Street,
Morden MB R6M 0B8
Phone: 204-201-1197

WINNIPEG

Address: 10A Keenleyside
Street, Winnipeg MB R2L 2B9
Phone: 204-201-1036

ETOBICOKE - GW Anglin Manufacturing

Address: 10 McLachlan Drive,
Etobicoke ON M9W 1E5
Phone: 416-679-1573

NIAGARA - DP Services

Address: 620 Welland Ave
#626, St. Catharines ON L2M
5V6
Phone: 905-641-5464

ORO-MEDONTE - ORO Design & Manufacturing

Address: 3 Small Crescent,
Township Of Oro-Medonte ON
L0L 1T0
Phone: 705-327-1567

OTTAWA

Address: 1611 Liverpool Court,
Ottawa ON K1B 4L1
Phone: 613-691-4196

TILLSONBURG -

**Manufacturing Division - Voth
Truck Bodies / Kargo King**
Address: 66 Norfolk County Rd
#13, Courtland ON NOJ 1E0
Phone: 519-842-7200

TILLSONBURG - DP UPFITTING

Address: 66 Norfolk County Rd
#13, Courtland ON NOJ 1E0
Phone: 519-842-7200

TORONTO - Head Office, Upfitting & Service Centre

Address: 1665 Shawson Drive,
Mississauga ON L4W 1T7
Phone: 905-564-5800

TORONTO - Global Distribution Centre

Address: 1666 Shawson Drive,
Mississauga ON L4W 1N7
Phone: 416-321-0660

WINDSOR

Address: 220 Patillo Road
RR#1, Tecumseh ON N8N 2L9
Phone: 519-727-4398

LAVAL - DP Upfitting Shop - Coming Soon

Address: 3737 Boulevard Lite
Unit B, Laval QC H7E 4X8
Phone: 514-519-0367

LAVAL - GW/AMTECH UPFITTING FACILITY

Address: 3737 Boulevard Lite,
Laval QC H7E 4X8
Phone: 450-661-6209

LAVAL - Industrial Driveline Division

Address: 3737 Boulevard Lite
Unit A, Laval QC H7E 4X8
Phone: 514-519-0367

MONTREAL

Address: 900 Montee De
Liesse, St. Laurent QC H4T
1N8
Phone: 514-856-0407

ST. JOHN'S

Address: 30 Edmonds Place,
St. John's NL A1B 0C7
Phone: 709-753-0984

MONCTON

Address: 541 Ferdinand Blvd,
Dieppe NB E1A 7G1
Phone: 506-388-3465

HALIFAX

Address: 141 Joseph Zatzman
Drive, Dartmouth NS B3B 1M7
Phone: 902-468-8288

HALIFAX - Truck & Utility

Address: 409 Higney Ave,
Dartmouth NS B3B 0L5
Phone: 902-468-3788

USA**ELKHORN - DP USA**

Address: 969 Koopman Lane,
Elkhorn WI 53121
Phone: 262-723-7914

WINTERS - Manufacturing Division - Tradesmas

Address: 305 N Frisco Street,
Winters TX 79567
Phone: 325-812-2260

WINTERS - Upfitting Shop - Coming Soon

Address: 305 N Frisco Street,
Winters TX 79567
Phone: 325-812-2260

